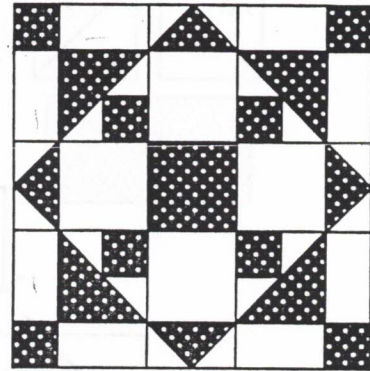


Block of the Month.

(from Virginia H)

Old Favorite

12 1/2" unfinished (12" finished).



Fabric Amounts:

Light Fabric 4 1/2" x wof

Dark Fabric 4 1/2" x wof

Cut:

Light Fabric

4"

Cut 1 strip - ~~3 1/2"~~ x wof. From that strip cut

4 - 3 1/2" squares

8 - 3 1/2" x 2" rectangles

4 - 3" x 2" rectangles

8 - 2" squares

- cut 1st before cutting strip to 3 1/2"

Dark Fabric

4"

Cut 1 strip - ~~3 1/2"~~ x wof. From that strip cut

2 - 3 1/2" x 4 1/2" rectangles

1 - 3 1/2" square

4 - 3 1/2" x 2" rectangles

8 - 2" squares

- cut first before cutting strip to 3 1/2"

* Make SCant 1/4" seams.

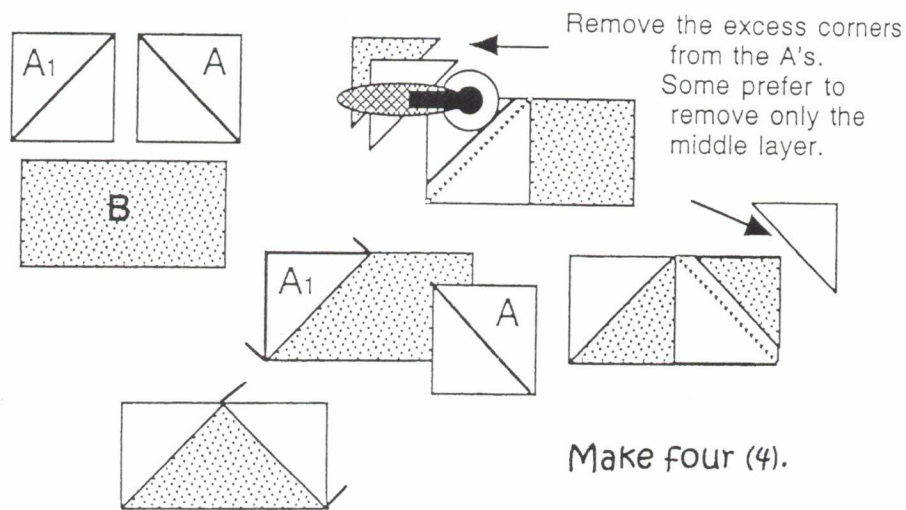
Flying Geese

Use the four dark 2" x 3 1/2" rectangles and the eight light 2" squares.

On the wrong side of the 8 light squares, draw a diagonal line from corner to corner. This is the sewing line.

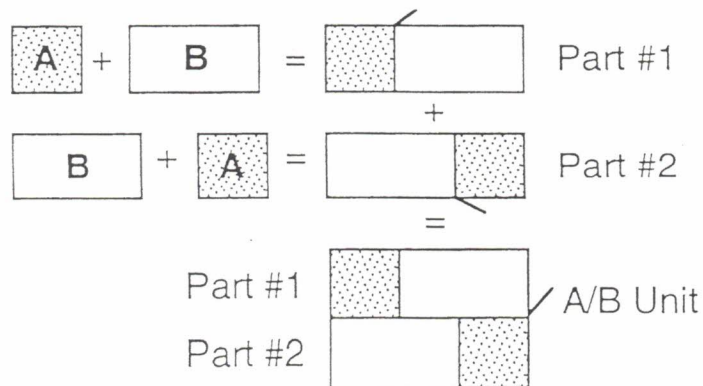
Place one square at one end of the dark rectangle with the diagonal line going from an outside corner to the center of the opposite side. Stitch on the diagonal line. Remove the excess corners. Some people prefer removing just the middle layer.

Repeat the process on the other end, sewing in the opposite direction. Diagram on next page.



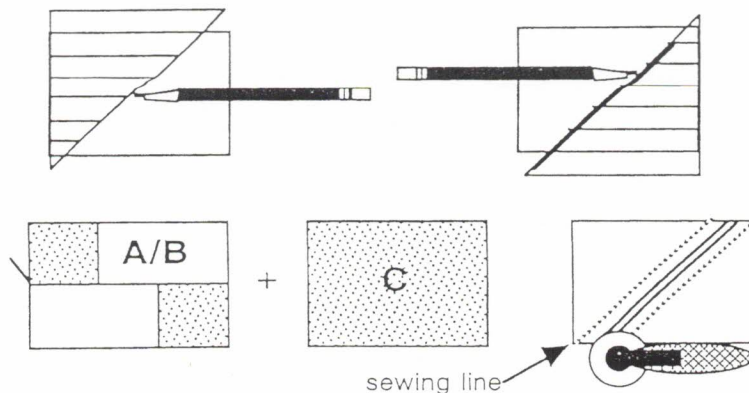
Shaded Four Patch Unit

Using the four Light 3" x 2" rectangles and four Dark 2" squares, follow the diagrams to construct the A/B unit. Press as shown.

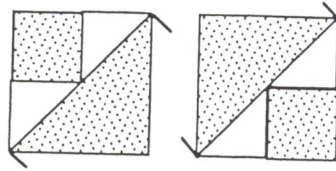


On the wrong side of C (which is your dark 3 1/2" x 4 1/2" rectangle), draw a diagonal line from top right corner, at a 45 degree from the 3 1/2" side of the rectangle. Draw another line parallel to the first line from the opposite corner, also at a 45 degree angle.

Place C on top of the A/B unit and stitch on the lines you have drawn. Cut 1/4" from stitching as shown in diagram below.



This process makes 2 Shaded Four Patch Units. Repeat this process once. You need 4 of the units shown below.



Lay out all your units as shown below and stitch the units together in rows. Then sew your rows together.

Congratulations! You've finished _____

